

C-SNY-M20-3P



Material: Nylon 66, UL94v2

Rated Voltage: 250V

Rated Current: 16A, 25A

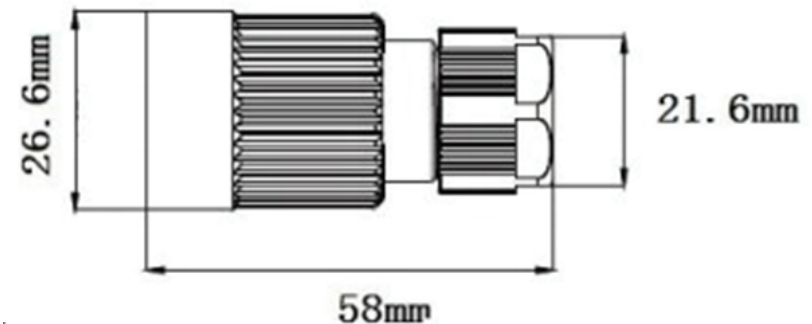
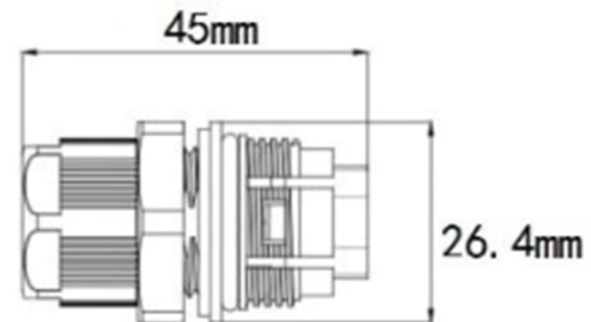
Working temperature: -40~+85°C

Clamps connecting capacity: 0.5-2.5mm²

Color: Black

Protection Class: IP68

Title: Waterproof Connector



Drawing: