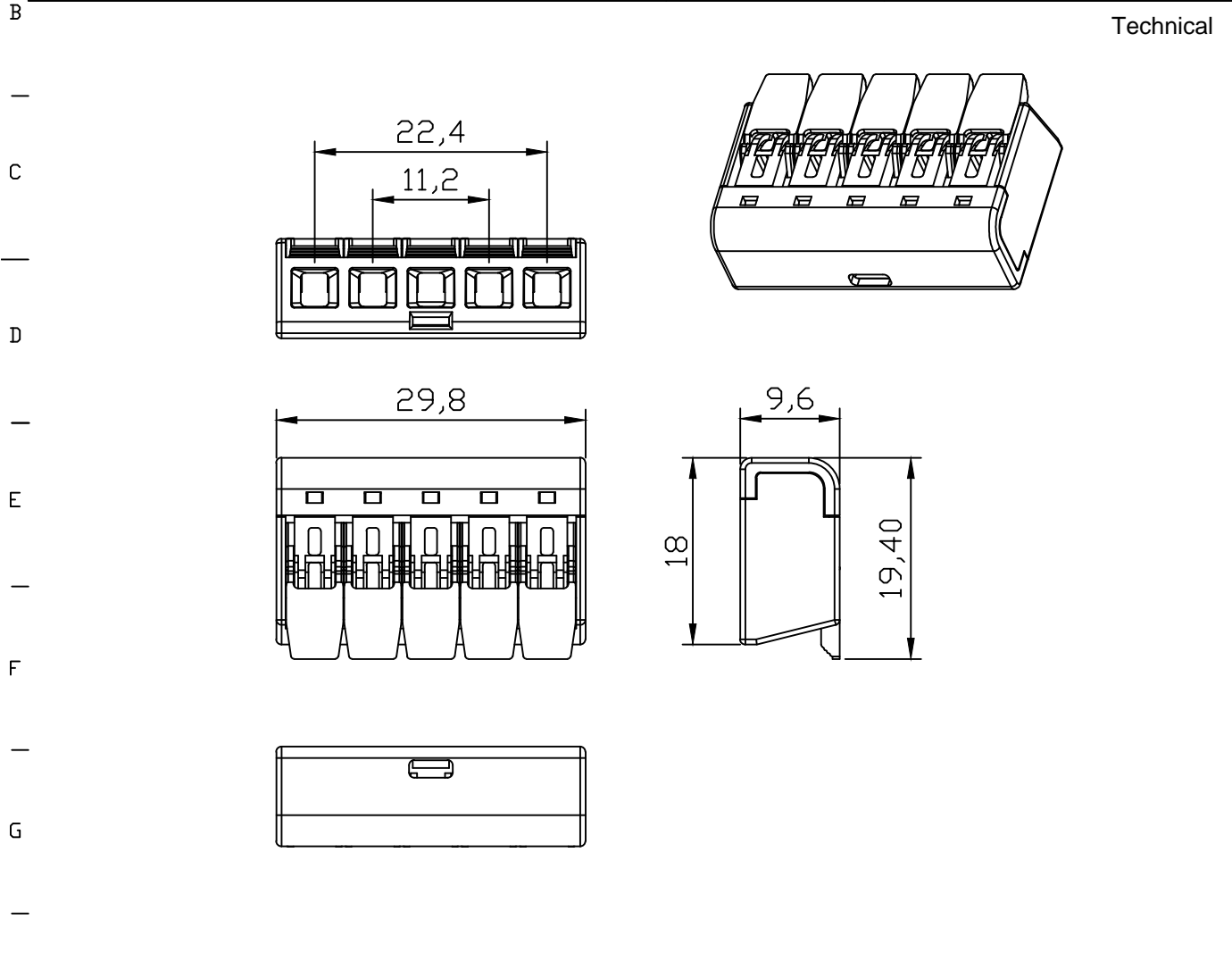


1	2	3	4	5	6	7	8		
Xiamen Fucon Electronics CO.,LTD			Tolerance		Production model	Unit	mm	NO	4
			0,000			Ratio	1:1	Date	2019-06-18
			0,00	± 0,05		View			
			0,0	± 0,10					
			0,	±			A0		
ANGLE (角度)	±1°								



Technical	
Part No.	221-5P
Type	Splicing Connectors
Rated Voltage	450V
Rated Current	32A
Cable range	Solid: 0.2-4 sq.mm
	Soft: 0.14-2.5 sq.mm
Stripping length	11-12mm
Temperature	-20-105°C
Heating	No more than 45°
Plastic	LCP
Contact	Copper
Spring	Stainless stell

Approved by:	Liu JunShan	Inspected By:	He Yue	Made By:	Zhou Gang		
1	2	3	4	5	6	7	8