

4

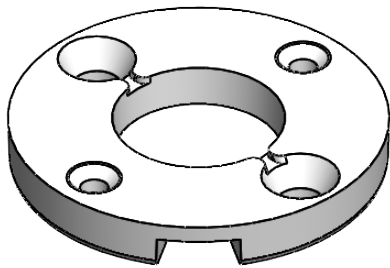
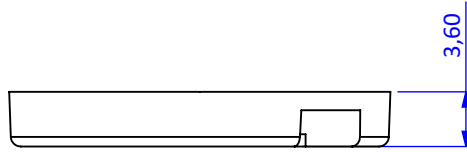
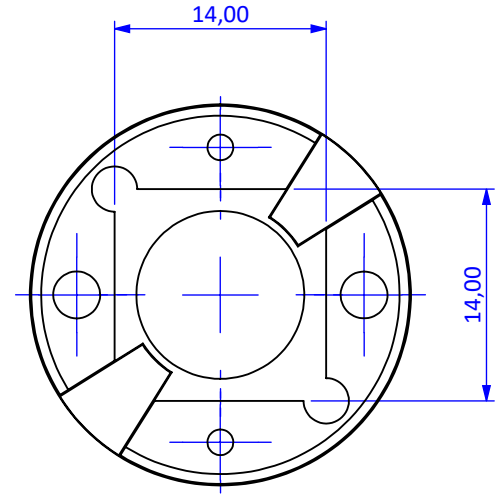
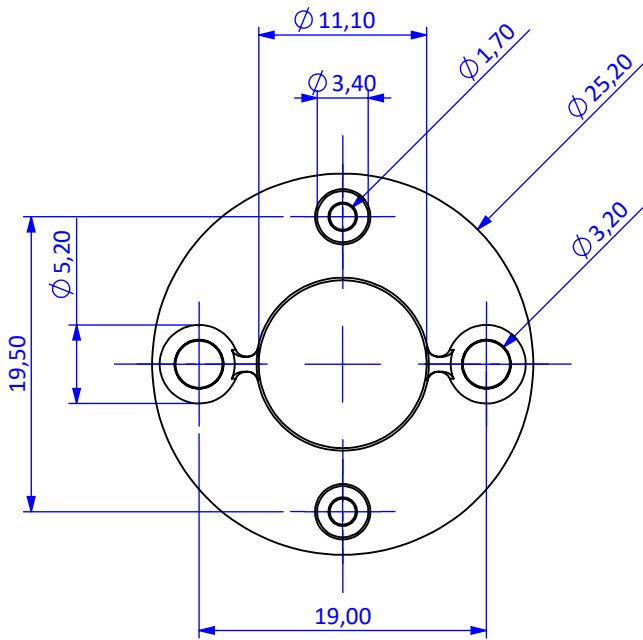
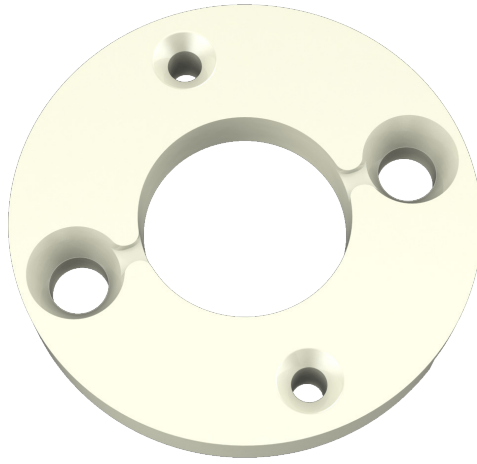
3


2


1

# LVED-1313H

## COB HOLDER ONLY PLASTIC 13,5 x 13.5mm



Part	TX-1313H COB HOLDER ONLY PLASTIC 13,5 x 13.5mm		
Type	Holder	Material	--
Weight	--	Color / Coating	white
			
This drawing is TD Lighting Solutions property. It can't be reproduced or communicated without written agreement from TD Lighting Solutions.			
TLS Teknoloji Sanayi ve Dış Ticaret A.Ş.			

Date	25.11.2024
Scale	2:1
Sheet	1/1
A4	
First Angle Projection	
	

### PLASTIC MOULDING GENERAL TOLERANCES - DIN 16901-130

over	0	1	3	6	10	15	22	30	40	53	70	90	120	160	200	250	315	400
up to	1	3	6	10	15	22	30	40	53	70	90	120	160	200	250	315	400	500
tolerance	±0,18	±0,19	±0,20	±0,21	±0,23	±0,25	±0,27	±0,30	±0,34	±0,38	±0,44	±0,51	±0,60	±0,70	±0,90	±1,10	±1,30	±1,60

4

3

2

1