

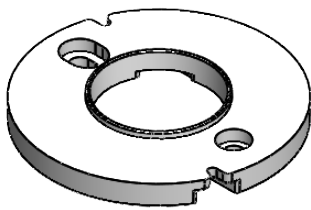
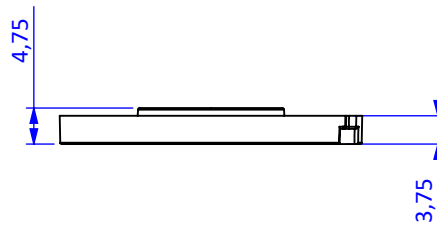
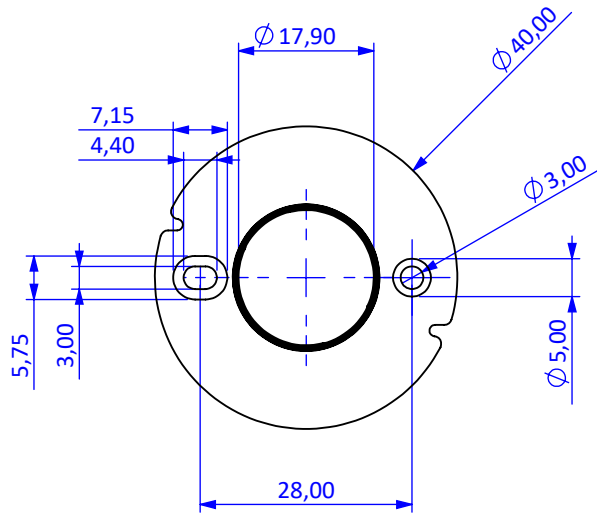
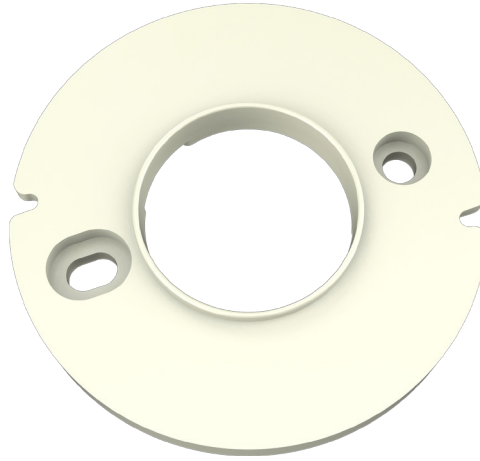
4


3


2

1

LVED-1919H COB HOLDER ONLY PLASTIC FOR 19 x 19mm



Part	TX-1919H COB HOLDER ONLY PLASTIC FOR 19 x 19mm		
Type	Holder	Material	--
Weight	--	Color / Coating	white
 TD Lighting Solutions			
<small>This drawing is TD Lighting Solutions property. It can't be reproduced or communicated without written agreement from TD Lighting Solutions.</small>			
<small>TLS Teknoloji Sanayi ve Dış Ticaret A.Ş.</small>			

Date	25.11.2024
Scale	1:1
Sheet	1/1
A4	
First Angle Projection	
	

PLASTIC MOULDING GENERAL TOLERANCES - DIN 16901-130

over	0	1	3	6	10	15	22	30	40	53	70	90	120	160	200	250	315	400
up to	1	3	6	10	15	22	30	40	53	70	90	120	160	200	250	315	400	500
tolerance	±0,18	±0,19	±0,20	±0,21	±0,23	±0,25	±0,27	±0,30	±0,34	±0,38	±0,44	±0,51	±0,60	±0,70	±0,90	±1,10	±1,30	±1,60

4

3

2

1