

4

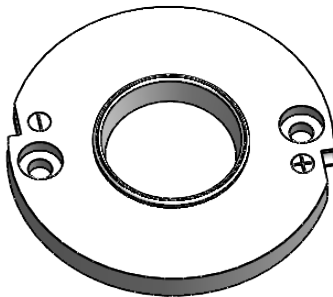
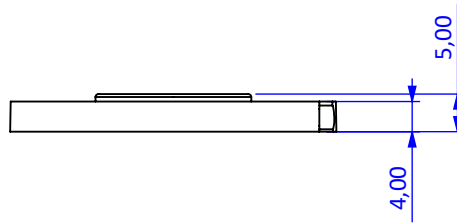
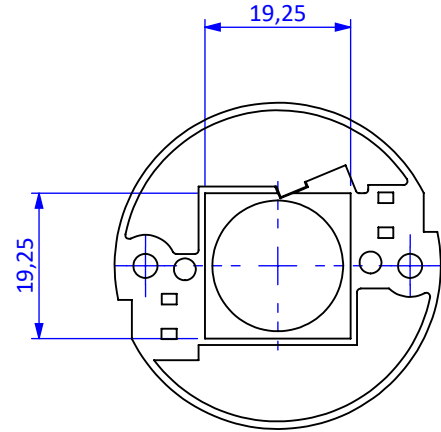
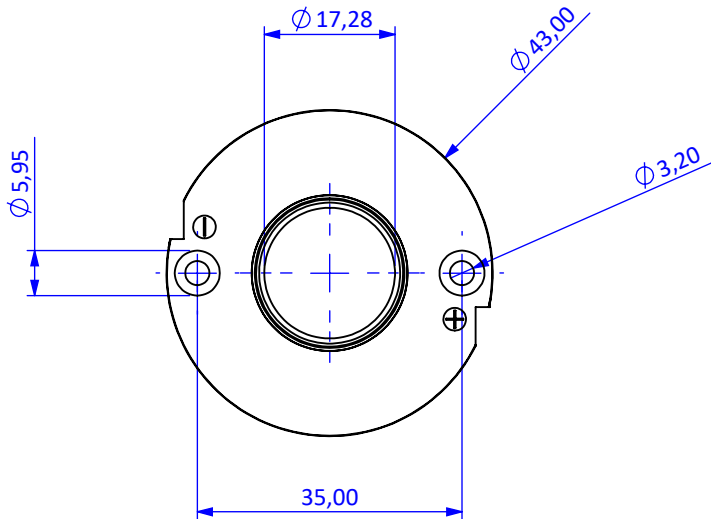
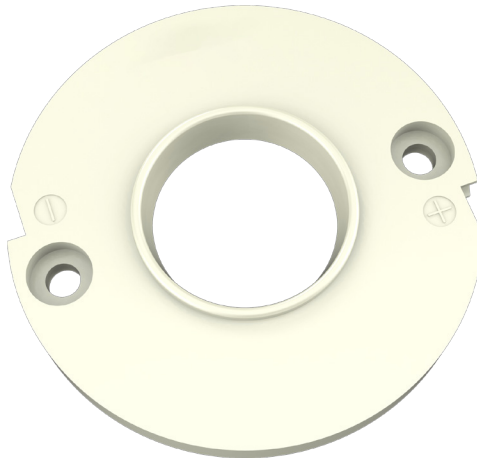
3



2

1

# LVED-1919MH

## COB HOLDER ELECTRICAL ATTACHED FOR 19 x 19mm



Part	TX-1919MH COB HOLDER ELECTRICAL ATTACHED FOR 19 x 19mm			Date	25.11.2024
Type	Holder	Material	--	Weight	--
				Color / Coating	White
		 <b>TD Lighting Solutions</b>			A4
This drawing is TD Lighting Solutions property. It can't be reproduced or communicated without written agreement from TD Lighting Solutions.					First Angle Projection
					
TLS Teknoloji Sanayi ve Dış Ticaret A.Ş.					

### PLASTIC MOULDING GENERAL TOLERANCES - DIN 16901-130

over	0	1	3	6	10	15	22	30	40	53	70	90	120	160	200	250	315	400
up to	1	3	6	10	15	22	30	40	53	70	90	120	160	200	250	315	400	500
tolerance	±0,18	±0,19	±0,20	±0,21	±0,23	±0,25	±0,27	±0,30	±0,34	±0,38	±0,44	±0,51	±0,60	±0,70	±0,90	±1,10	±1,30	±1,60

4

3

2

1