

PRO-UA420

Adapters Track System



3-circuit Ultimate Adapter



Product code White (RAL 9010)
EAN code White

PRO-UA420-W
8719747933985

Product code Grey (RAL 7040)
EAN code Grey

PRO-UA420-S
8719747933992

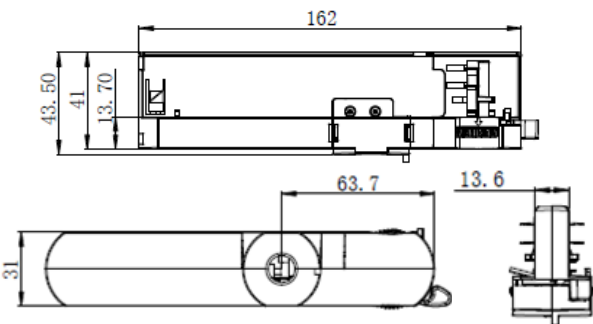
Product code Black (RAL 9011)
EAN code Black

PRO-UA420-B
8719747934005

Main materials
Net weight per piece
Inner box / outer box
Rated voltage per circuit

PC UL94VO + Copper
110 g
1 / 50 pcs
220V – 240V

Dimensions



Specifications

Flicker Free, Ripple Free
Input: 220-240Vac, 50/60Hz
Output: 25V-42Vdc
Certificate: ENEC, CE
Lifetime: 50.000 hours
Fmax: 50N
Warranty: 5 years

DIP-Switch

PRO-UA420	1	2	Power
250mA	○	○	11W
350mA	○	●	15W
450mA	●	○	19W
500mA	●	●	21W

Excluding nipple!

ON THE RIGHT TRACK

