

TEX RUN

"Technology is Running"

TX-SPD-10kV Surge Protection Device



Electrical Specification

Part Number	TX-SPD-10kV
Rated working voltage/U (VAC)	100-277V
Maximum continuous working voltage/MCOV/Uc (VAC)	350V
Rated load current/IL(A)	5A
Nominal discharge current/In(kA)	5KA
Maximum Discharge Current/Imax (kA)	10KA
Surge Impulse Voltage/Uoc (KV)	10KV
Voltage Protection Level/Up(V)	L-N≤2.0KV
Power Supply System	TN
Waterproof grade	IP65
Work environment	-40°C~+85°C
UL1449 test classification	Type 5

Features

- Applicable to class II lamps
- Built in protection mode: L-N
- Built in thermal separation function for higher security
- Parallel isolation design, excellent protection performance
- Excellent surge resistance and very low residual voltage
- UL 1015 16#Electronic wire
- Small and convenient for embedded installation
- IP65 dust proof and waterproof grade

Application

- Digital Signage
- Tunnel Lighting
- Road Lighting
- Traffic Lighting
- Street lighting
- Parking Lighting
- Flood Lighting
- Wall Lamp
- AC-LED Lighting

Label

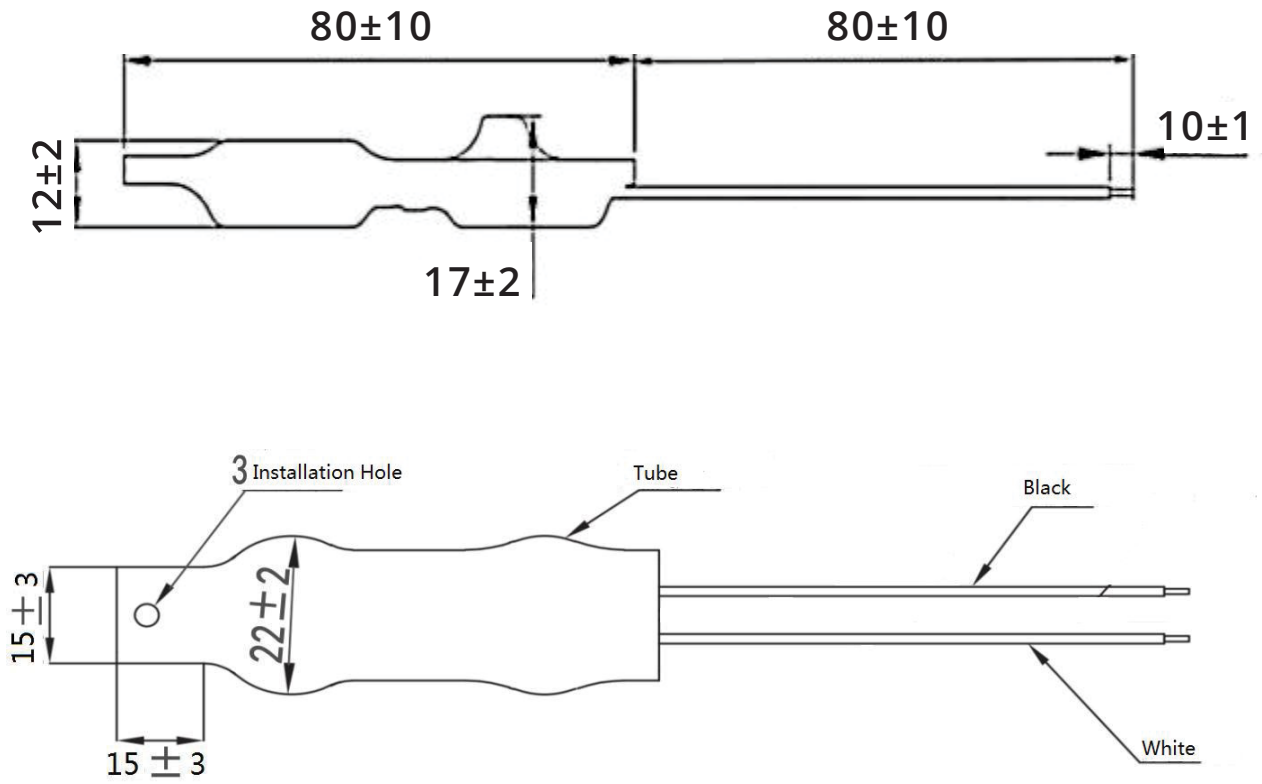


Packing

Outside Box: 610x390x220mm
Quantity: 1400pcs



Dimension



Diagram

